

TOBA HYDRO AIR PELLELET BOILER

MANUFACTURED BY:

MCZ

Minimal design pellet stove thanks to the absence of front jets; made of steel with ceramic or soapstone front, aluminum black powder-coated black top and base.



HUNT
HEATING

12 MONTH*
WARRANTY



REMOTE CONTROL



PELLETS



COLOUR

102 White, 107 Black, 202 Soapstone,
248 Sandstone, 304 Bordeaux

MEASUREMENTS

1100mm (H) x 523mm (W) x 534mm (D)

ACCESSORIES

WOOD PELLETS 15 - 1 X 15kg Bag of wood pellets
(Provided free of charge with purchase of pellet
boiler for commissioning).



HUNT HEATING
The smart choice.

SHOWROOM

11 Fiveways Boulevard
Keysborough
VIC 3173

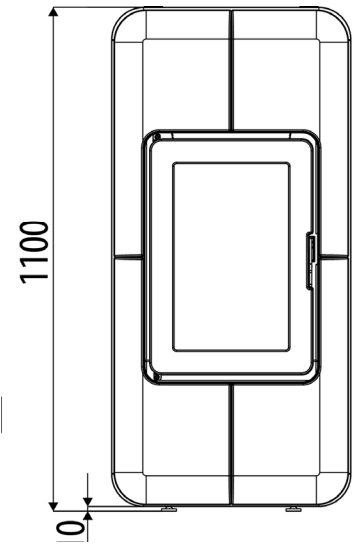
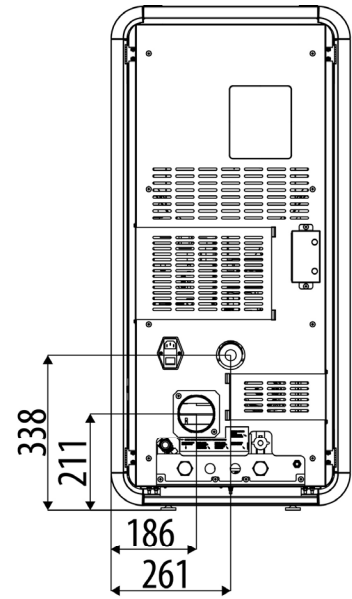
PHONE 1300 00 1800

FAX (+613) 9798 5133

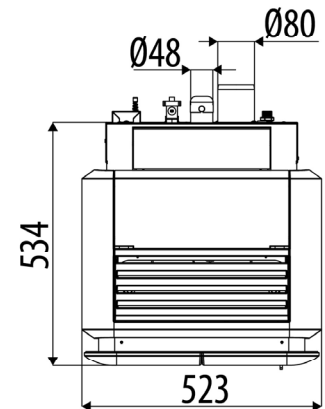
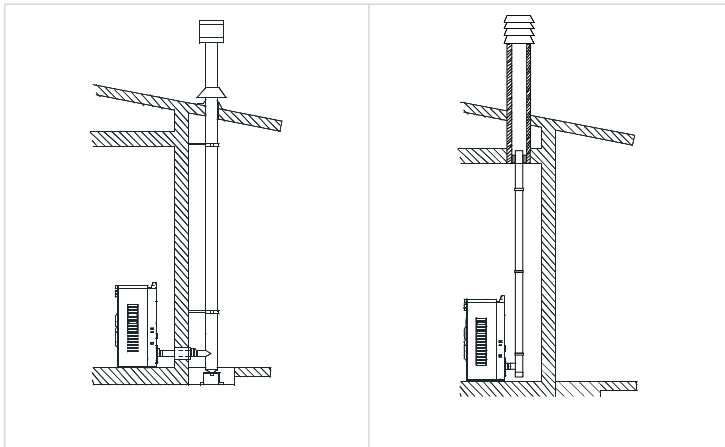
enquiries@huntheat.com.au

www.huntheat.com.au

POWER max	Maximum Power	tot 22.3 - 19.178 (kW-kcal/h) water 18 - 15.480 (kW - kcal/h)
POWER min	Minimum Power	tot 4.4 - 3.784 (kW-kcal/h) water 3 - 2.580 (kcal/h)
	Nominal efficiency	92.5 (%)
	Pellet tank capacity	Approx. 35 kg
	Pellet diameter	6-8 mm
	Pellets burned	~0.6 / ~1.8 (kg/h)
	Running time with one load	~40 / ~13 (h)
	Flue diameter	80 mm
	Weight	140 kg
	Flue length	min. 4 - max. 6.6 [g/s]



Installations with **VERTICAL** flue setting



130 mm twin wall insulated stainless steel flue recommended and in stock at Hunt Heating.