

COMPACT PELLET BOILERS

MANUFACTURED BY:



Compact pellet boilers have a high efficiency and extensive operating range making these boilers suitable for new installations as well as refurbishment and upgrades.

The Red Biomass range is an excellent low carbon and hydronic hot water solution.

Biomass in general offers a cost effective, off grid solution versus electric and LPG.



HUNT
HEATING

12 MONTH*
WARRANTY



MEASUREMENTS

14kW - 1140 mm (H) x 550 mm (W) x 600 mm (D)
18-24kW - 1215 mm (H) x 600 mm (W) x 660 mm (D)
35kW - 1292 mm (H) x 743 mm (W) x 701 mm (D)

ACCESSORIES

WOOD PELLETS 15 - 1 x 15kg Bag of wood pellets
(Provided free of charge with purchase of pellet boiler for commissioning)

300KG BASIC BOX REMOTE TANK



PELLETS



HUNT HEATING
The smart choice.

SHOWROOM

11 Fiveways Boulevard
Keysborough
VIC 3173

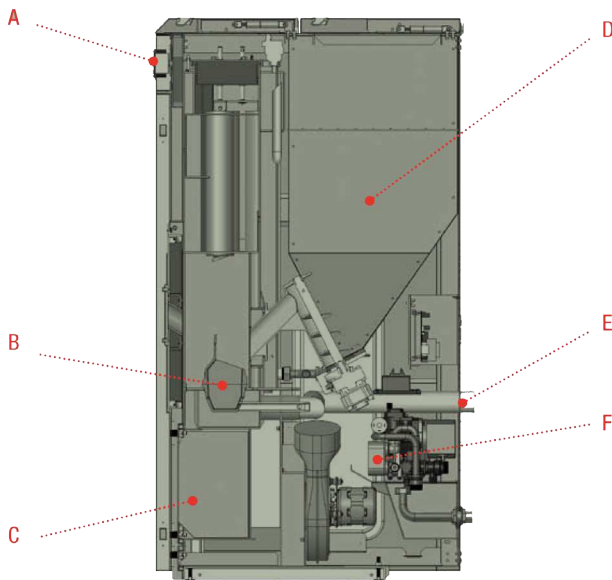
PHONE 1300 00 1800

FAX (+613) 9798 5133

enquiries@huntheat.com.au

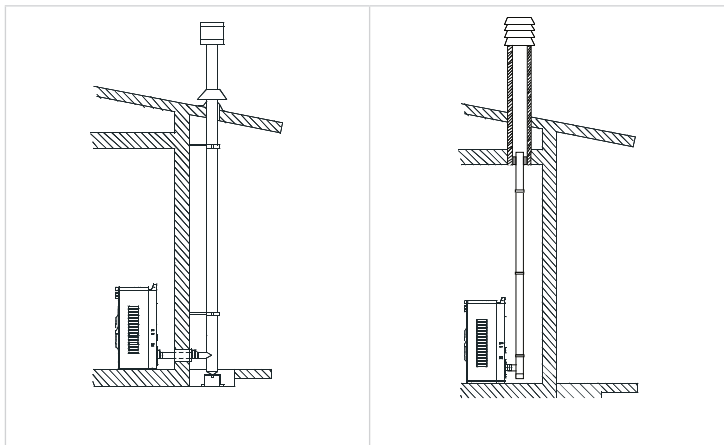
www.huntheat.com.au

		COMPACT 14	COMPACT 18	COMPACT 24	COMPACT 35
Nominal heat output	kW	12.6	17	22.1	32
Heat capacity in combustion chamber	kW	14	18.1	24.5	34.5
Nominal efficiency	%	90	93.5	90.2	92.8
Minimum heat output	kW	3.8	3.8	3.8	8.1
Boiler water capacity	l	15	25	25	30
Maximum operating pressure	bar	3	3	3	3
Dimensions: Height	mm	1140	1215	1215	1336
Width	mm	550	600	600	743
Depth	mm	600	659	659	772
Boiler weight	kg	180	200	200	300
Diameter of flue pipe	mm	100	100	100	100
Pellet tank capacity	kg	24	70	70	105
Running time with one load	h	9	19	15	16



- A.** New programmable electronics that manages the boiler functions (including chimney sweep and summer/winter functions) even by remote control (accessory kit).
- B.** Cast iron grate unit for long-lasting durability.
- C.** Large ash tray for a weekly clean (10 litres).
- D. COMPACT 14:** Filling tank provided with a capacity of approximately 38 litres (about 24 kg).
COMPACT 18-24: Filling tank provided with a capacity of approximately 110 litres (about 70 kg).
COMPACT 35: Filling tank provided with a capacity of approximately 150 litres (about 100 kg).
- E.** Combustion air ducted from the outside.

Installations with **VERTICAL** flue setting



130 mm twin wall insulated stainless steel flue recommended and in stock at Hunt Heating.